

(No Model.)

S. BERGMANN.  
HOOD FOR ELECTRIC ARC LAMPS.

No. 514,057.

Patented Feb. 6, 1894.

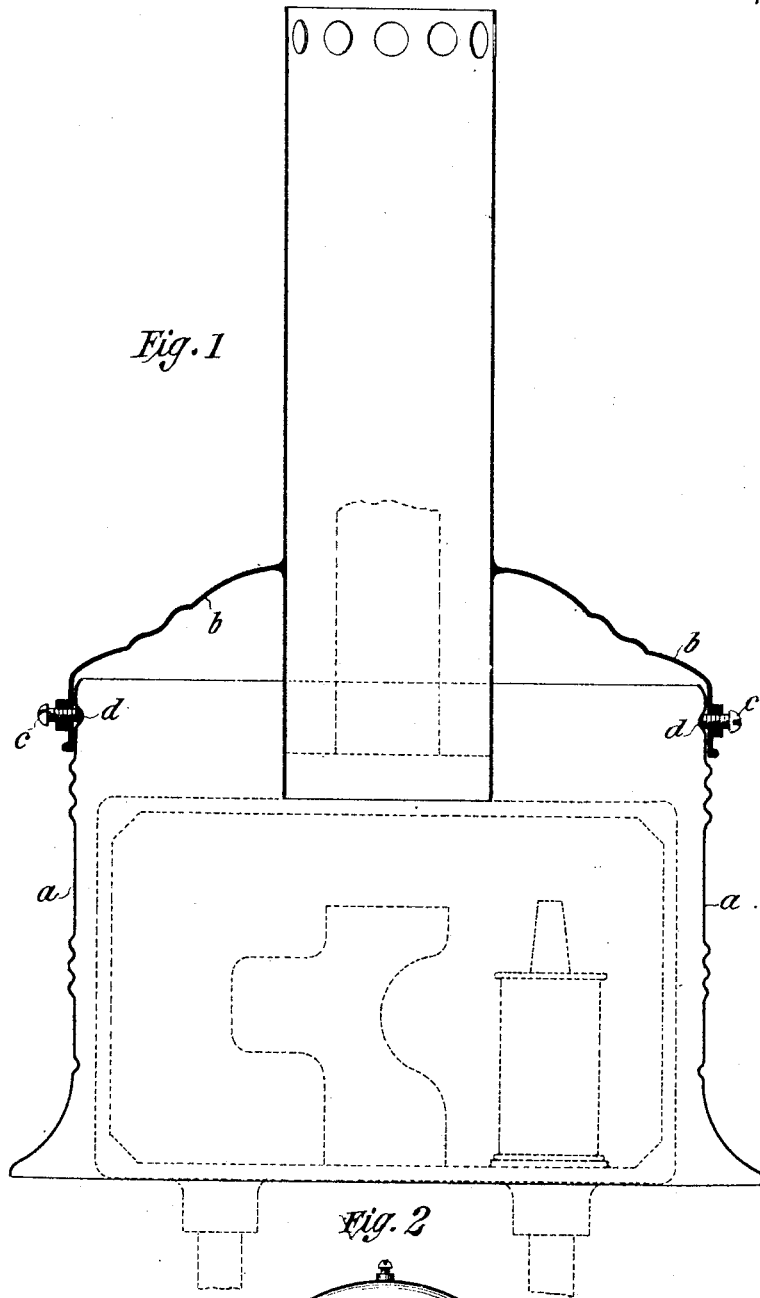


Fig. 1

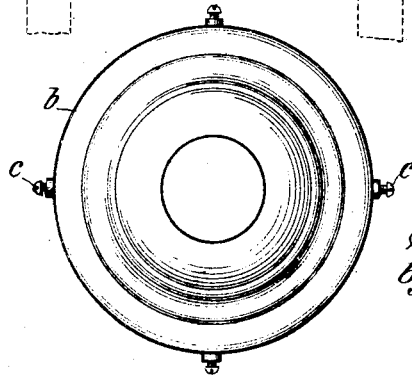


Fig. 2

Witnesses:  
Raphael Netter  
W. G. Crockney

Inventor  
Sigmund Bergmann  
by  
W. C. Roberts,  
Attorney.

# UNITED STATES PATENT OFFICE.

SIGMUND BERGMANN, OF NEW YORK, N. Y.

## HOOD FOR ELECTRIC-ARC LAMPS.

SPECIFICATION forming part of Letters Patent No. 514,057, dated February 6, 1894.

Application filed January 10, 1893. Serial No. 457,946. (No model.)

*To all whom it may concern:*

Be it known that I, SIGMUND BERGMANN, a citizen of the United States, and a resident of New York, in the county of New York and State of New York, have invented a certain new and useful Improvement in Hoods for Electric-Arc Lamps, of which the following is a specification.

My invention relates to hoods for electric arc lamps, and the object of my invention is to so construct the same that access can be had to the lamp mechanism without removing the entire hood. I accomplish this object by the means hereinafter described and claimed.

In the accompanying drawings forming part of this specification Figure 1 is a vertical sectional elevation of a hood or protector embodying my invention; and Fig. 2 is a plan view of the same reduced in size.

The hood is constructed in two parts, *a* and *b* the division being made above the lamp mechanism, as shown in Fig. 1. The lower part *a* fits into the upper part *b* and is held thereto by clamping screws *c* passing through the upper and abutting against the lower part or fitting in a groove *d* formed therein.

The upper part of the hood is provided with a chimney which extends both above and below the hood and is arranged to fit the lamp frame.

This hood well protects the lamp frame and lamp mechanism from dust, dirt, rain or snow, and yet when it is desired to get at the lamp mechanism it is not necessary to remove the entire hood as formerly which is an awkward proceeding and has to be done in an upward direction, but the lower section can be

removed from the upper section easily in a downward direction by simply loosening the clamping screws that hold it to the upper part, the upper section remaining in place. I have shown four clamping screws but a greater or less number may be employed as may be found desirable.

For outdoor use the hood may be made plain while for indoor use it may be made more or less ornamental and artistic.

I have shown in dotted line the position the lamp frame occupies relatively to the hood. For indoor use the lower part may be made to fit over or outside of the upper part, and the clamping screws may pass through said lower part and engage the upper part.

The hood may have either form of construction but for outdoor use I prefer to have the lower part fit into the upper part as illustrated.

Having thus described my invention, what I claim, and desire to secure by Letters Patent, is—

A hood for electric arc lamps constructed in two parts, the upper part formed with a depending flange provided with screw threaded apertures and the lower part arranged to fit into the same, the two parts being held together by screws passing through said depending flange substantially as described.

Signed at New York, in the county of New York and State of New York, this 3d day of January, A. D. 1893.

SIGMUND BERGMANN.

Witnesses:

P. M. MOWREY,  
J. WERTHEIMER.