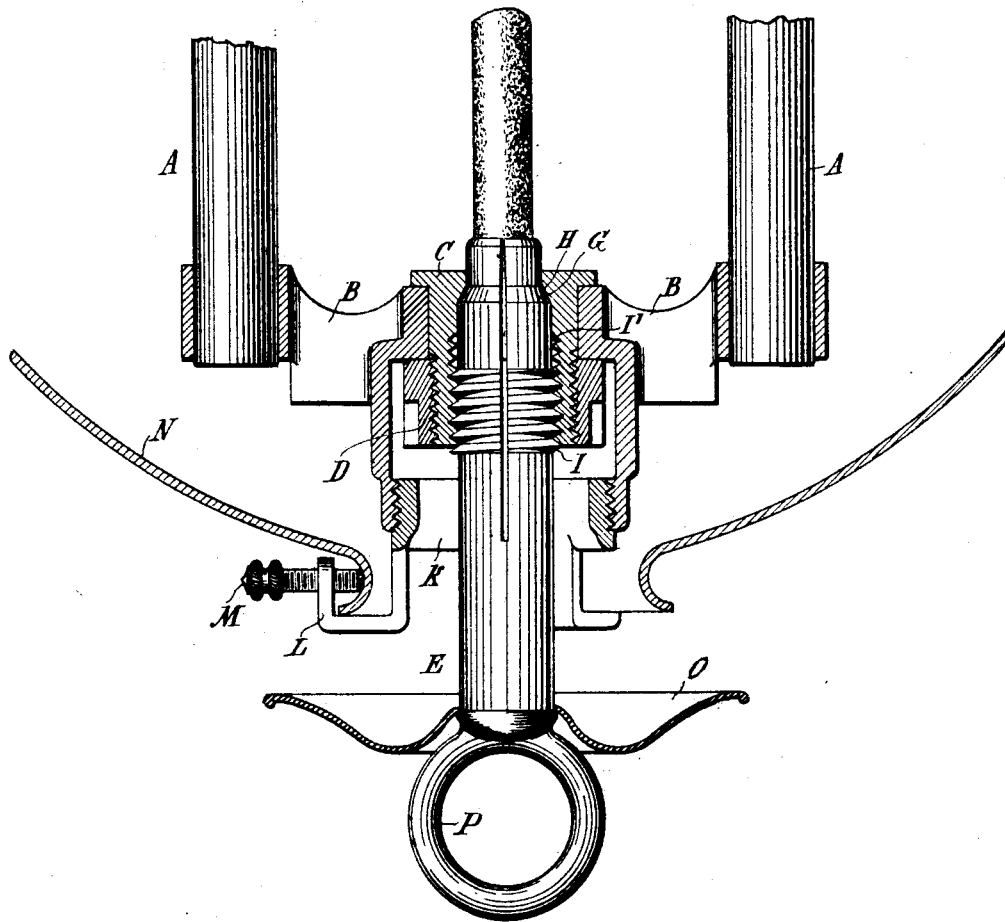


(No Model.)

S. BERGMANN.
ELECTRIC ARC LIGHT FIXTURE.

No. 514,058.

Patented Feb. 6, 1894.



Witnesses:
Raphael Netter
W. C. Pinckney

Inventor
Sigmund Bergmann
by *Wm. C. Schomb*
Attorney.

UNITED STATES PATENT OFFICE.

SIGMUND BERGMANN, OF NEW YORK, N. Y.

ELECTRIC-ARC-LIGHT FIXTURE.

SPECIFICATION forming part of Letters Patent No. 514,058, dated February 6, 1894.

Application filed January 10, 1893. Serial No. 457,943. (No model.)

To all whom it may concern:

Be it known that I, SIGMUND BERGMANN, a citizen of the United States, and a resident of New York, in the county of New York and State of New York, have invented certain new and useful Improvements in Electric-Arc-Light Fixtures, of which the following is a specification.

My invention relates to electric arc light fixtures and the object of my invention is to keep the glass globe surrounding the arc light free from the dust from the carbons and from other sources, and to permit the globe to be readily cleaned without removing the same from place. I accomplish this object by the means hereinafter described and claimed.

In the accompanying drawing I have shown a vertical transverse section of an arc lamp fixture embodying my invention.

Referring to the drawing A represents the two side standards partly broken away, united at their lower ends by the cross bar B. This cross bar carries the plug C, held in place by clamping nut D. The lower carbon holder E is hollow at its upper part and is partially split as shown, preferably in four parts, and is provided with an inclined shoulder G, which co-operates with the inclined shoulder H on the interior of the plug C. The carbon holder is further provided with a screw-thread *i* on its periphery which engages the female screw-thread *I'* of the said plug, so that the farther the carbon holder is screwed in or upwardly the firmer will it grasp the carbon. The cross bar B is further provided with an interior screw-thread to receive the exterior threaded globe holder K, provided with preferably three lugs L, for the passage of clamping screws M, to hold the globe N in place. In the drawing, of course, only one lug and clamping screw could be shown.

The lower downwardly removable carbon holder E is provided near its lower end with

an ash pan or dust receptacle O, and below the latter with a convenient handle P. It will be noticed from the construction described that there is a considerable area of open space around the cross bar and also about the globe holder, so that particles of carbon which are thrown off during the burning of the lamp, fall down through the lower opening of the globe into the dust receptacle or ash pan O. If not all the dust has fallen on the ash pan and some remains on the inside of the globe it can be readily brushed downwardly by a brush without removing the globe from its holder.

When a new carbon is to be placed in the lower carbon holder the same is removed downwardly, the burned carbon taken out, and the dust and ashes shaken from the ash pan. A new carbon is then inserted in the holder and the same restored to place, without removing the globe, which is always a delicate matter since such globes are large, difficult to handle and easily broken.

Having thus described my invention, what I claim, and desire to secure by Letters Patent, is—

1. In an electric arc light fixture a removable lower carbon holder provided with an ash pan or dust receptacle, substantially as described.

2. In an electric arc light fixture the lower cross bar carrying the globe holder and the removable carbon holder provided with an ash pan or dust receptacle, the parts being so arranged that the dust falls into the dust receptacle, substantially as described.

Signed at New York, in the county of New York and State of New York, this 3d day of January, A. D. 1893.

SIGMUND BERGMANN.

Witnesses:

P. M. MOWREY,
J. WERTHEIMER.