

Jan. 13, 1925.

1,522,942

T. B. CABELL

INCANDESCENT ELECTRIC LAMP FIXTURE

Filed Feb. 12, 1924

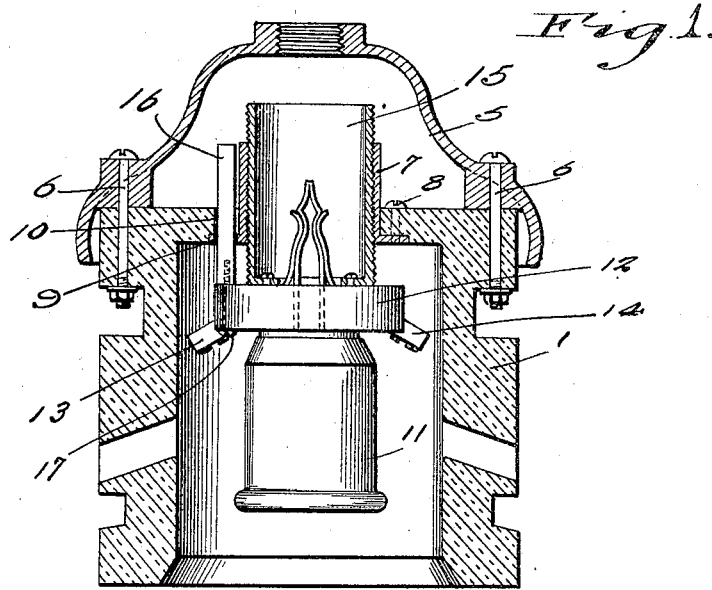
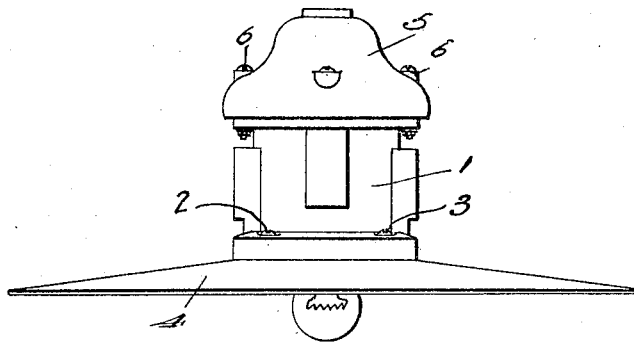


Fig. 2.



R. Q. Thomas
Thomas E. Turpin
WITNESSES

T. B. Cabell INVENTOR
BY *Victor J. Evans* ATTORNEY

UNITED STATES PATENT OFFICE.

THOMAS B. CABELL, OF JACKSON, MISSISSIPPI.

INCANDESCENT-ELECTRIC-LAMP FIXTURE.

Application filed February 12, 1924. Serial No. 692,349.

To all whom it may concern:

Be it known that I, THOMAS B. CABELL, a citizen of the United States, residing at Jackson, in the county of Hinds and State of Mississippi, have invented new and useful Improvements in Incandescent-Electric-Lamp Fixtures, of which the following is a specification.

The object of my said invention is the provision of an incandescent electric lamp fixture embodying adjustable means whereby it is feasible to employ a shade of a single size in conjunction with incandescent electric lamps of various sizes, the adjustable means being of such character that the filament of the lamp can be quickly and easily positioned in proper manner relative to the shade.

To the attainment of the foregoing, the invention consists in the improvement as hereinafter described and definitely claimed.

In the accompanying drawings, forming part of this specification:—

Figure 1 is a vertical section of the fixture constituting the preferred embodiment of my invention.

Figure 2 is an elevation of a complete illuminating device including my novel fixture.

Similar numerals of reference designate corresponding parts in both views of the drawings.

Among other elements my novel fixture comprises a body 1 with screws 2 and 3 at its lower end for the attachment of a shade or reflector 4. The said body 1 is formed of porcelain or other dielectric material and is so mounted by a crown piece 5 of metal which is of general bell-configuration and is connected at 6 to the body 1.

The top of the body 1 is provided with a large central aperture to receive an interiorly threaded bushing 7, connected at 8 to the said top and provided at 9 with a smooth bore aperture in coincidence with an aperture 10 in the said body top.

At 11 is an interiorly threaded socket to receive an incandescent lamp, and at 12 is a receptacle to which the socket 11 is connected as shown, the said receptacle 12 being provided with lugs 13 and 14 for the connection of electric wires, and the receptacle including an exteriorly threaded cylin-

der 15, disposed in the bushing 7 and adjustable vertically therein.

On the lower portion of the receptacle 12 is disposed a pin 16 which is movable rectilinearly in the coincident apertures 9 and 10 and is detachably connected to the receptacle base by a screw 17 which extends through said base and is threaded into the lower end of the pin 16. Manifestly when the screw 17 is removed to disconnect the receptacle from the pin 16, the said receptacle may be adjusted vertically in the bushing 7 and the body 1 to accurately position the filament of the particular incandescent lamp employed relative to the shade or reflector 4. This obviates the necessity of providing more than one size of shade or reflector 4 in conjunction with lamps of various sizes; and it will also be observed that when the receptacle is positioned as stated and is connected in the manner described to the pin 16 casual movement of the receptacle relative to the body 1 and the shade 4 will be effectively precluded.

In addition to the practical advantages set forth it will be readily noted that my novel fixture is simple, compact and strong in construction, and is therefore well adapted to withstand the usage to which fixtures of corresponding character are ordinarily subjected.

I have entered into a detailed description of the construction and relative arrangement of the parts embraced in the present and preferred embodiment of my invention in order to impart a full, clear and exact understanding of the said embodiment. I do not desire, however, to be understood as confining myself to the specific construction and relative arrangement of parts inasmuch as in the future practice of the invention various changes and modifications may be made such as fall within the scope of my invention as defined in my appended claim.

Having described my invention, what I claim and desire to secure by Letters-Patent, is:—

In an incandescent electric lamp fixture, the combination of a dielectric body, hollow in form and having openings in its top, an interiorly threaded bushing connected to the body and disposed in one of the apertures

in said top and having a flange and an aperture therein coincident with an aperture in the top, a receptacle threaded through the bushing and equipped with a lamp socket
5 and with means for the connection of electric conductors, a pin movable rectilinearly in the bushing flange and aperture of the top, and a screw extending through a portion of the receptacle and threaded into the said pin to detachably connect the receptacle
10 to the pin.

In testimony whereof I affix my signature.

THOMAS B. CABELL.