

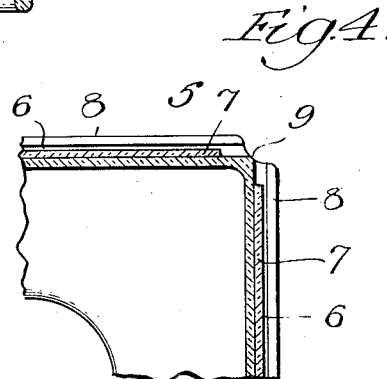
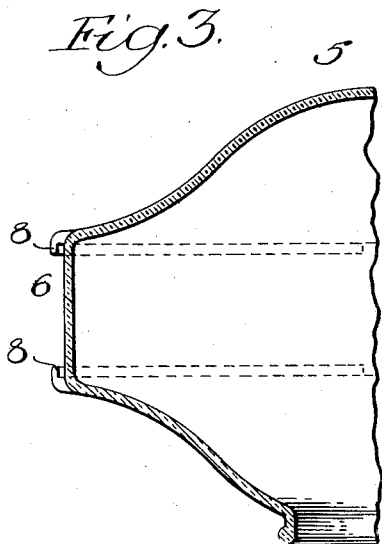
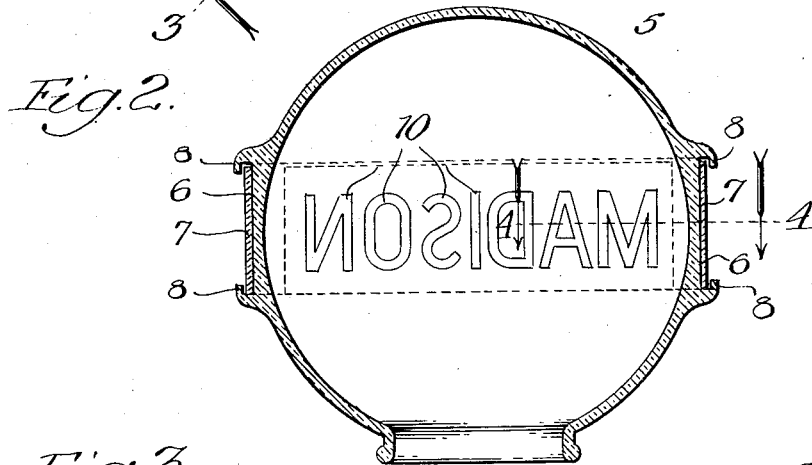
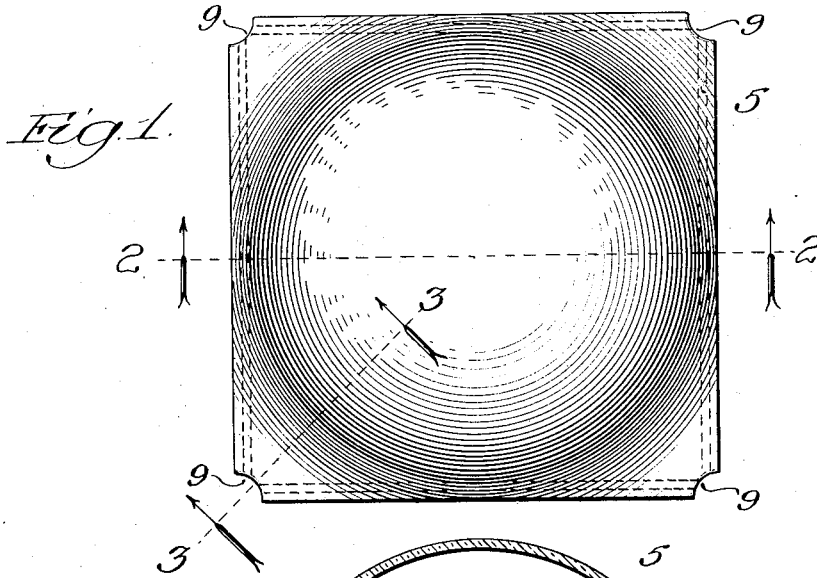
Dec. 7, 1926.

1,609,621

H. C. GATCHELL

STREET LAMP GLOBE

Filed Oct. 8, 1925



*Inventor:*  
*Helen Converse Gatchell,*  
*By* *Byrdgrenforth, Lee, Christon & Miles,*  
*Attys.*

# UNITED STATES PATENT OFFICE.

HELEN CONVERSE GATCHELL, OF CHICAGO, ILLINOIS.

## STREET-LAMP GLOBE.

Application filed October 8, 1925. Serial No. 61,236.

The primary object of my invention is to adapt the translucent globes used for shading the lamps on posts, more especially at the intersections of streets, to so illuminate the names thereon of the intersecting streets as to render the latter clearly legible, not only in the daylight, but particularly at night, to foot-passengers as well as to passengers in the surface-cars running past the streets they cross.

My invention is illustrated in the accompanying drawing, in which—

Figure 1 is a plan view of my improved shade in its preferred shape;

Figure 2 is a section on line 2—2, Fig. 1;

Figure 3 is a broken section on line 3—3, Fig. 1, and

Figure 4 is a broken section on line 4—4, Fig. 2.

The shade or globe 5, which may be best produced by molding it out of glass, usually frosted to render it translucent, has formed about its equator or "waist" portion a rectangular section 6, affording four flat sides on each of two opposite of which to display the name of a street, which may be that along which cars travel, and to display on each of the other two opposite sides the name of an intersecting street. For displaying the street-names, I prefer to paint them, in legibly large characters, on rectangular glass plates 7 to fit and occupy the four sides of the waist-section 6, the upper and lower edges of each side thereof being provided with retaining flanges 8, and being recessed at the corners, as shown at 9. By this provision, the globes may be used at street-intersections bearing different names, or for changing them on any globe by enabling the plates 7 having provided thereon, as indicated at 10 in Fig. 2, the appropriate street-names, to be slidingly inserted endwise, at the recessed corners 9, into their respective places between the flanges, which withdrawably confine them.

My improved device is particularly useful in avoiding the need on the part of passengers in cars to depend on the usually indistinct announcement by the conductors of the street being approached, which is peculiarly disturbing and annoying to strangers unfamiliar with the names of the cross-streets. With shades 5, of adequately large dimensions and bearing the street-names in adequately large size, supported as usual on lamp-posts (not shown) at diagonally opposite street-corners, which is an intended position for the more effective use of my invention, the names are so conspicuous as to render them readily legible at a great distance to pedestrians as well as car-passengers.

I realize that considerable variation is possible in the details of construction herein shown and described, and I do not intend to limit my invention thereto except as pointed out in the appended claims, in which it is my intention to claim all the novelty inherent in my invention as broadly as permissible by the state of the art.

I claim:

1. As a new article of manufacture, a translucent street-lamp shade of general globular shape, having its waist-portion formed thereabout with four rectangular sides, groove-equipped flanges bordering said sides, and name-plates insertable into the grooves of said flanges and removably confined in place thereby.

2. As a new article of manufacture, a translucent street-lamp shade of general globular shape, having its waist-portion formed thereabout with four rectangular flattened sides, groove-equipped flanges recessed at their corners and bordering said sides, and name-plates insertable in and removable from the grooves of said flanges and confined in place thereby.

HELEN CONVERSE GATCHELL.