

June 4, 1929.

W. DUCKER ET AL

1,716,214

STREET SIGN AND REFLECTOR

Filed Dec. 27, 1927

2 Sheets—Sheet 1

Fig. 1.



Walter Ducker ~
Frederick D. Luise ~
INVENTORS
BY *Victor J. Evans*
ATTORNEY

June 4, 1929.

W. DUCKER ET AL
STREET SIGN AND REFLECTOR
Filed Dec. 27, 1927

1,716,214

2 Sheets-Sheet 2

Fig. 2.

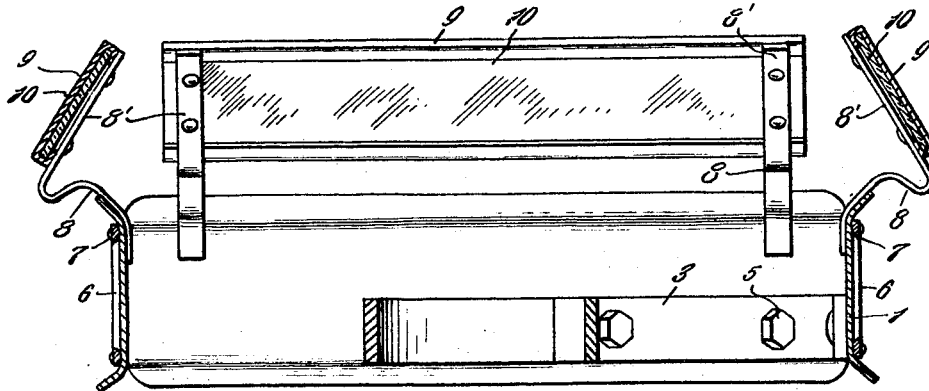
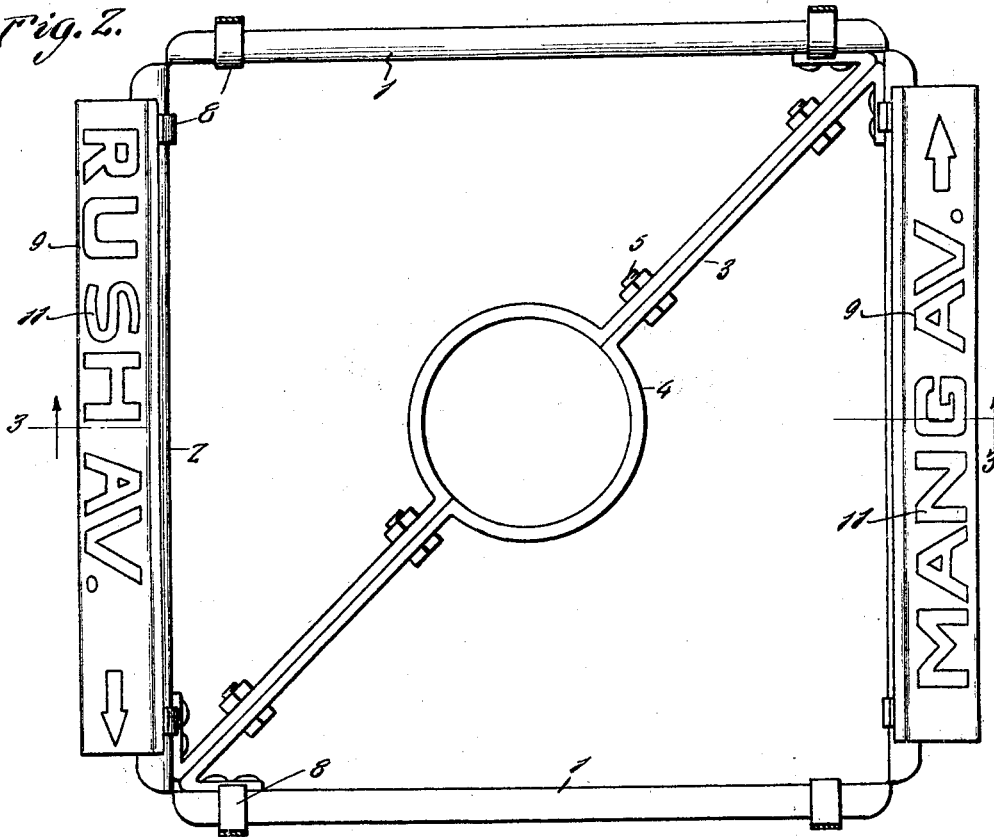


Fig. 3.

Walter Ducker ~
Frederick H. Luite ~

INVENTORS

BY Victor J. Evans

ATTORNEY

UNITED STATES PATENT OFFICE.

WALTER DUCKER AND FREDERICK D. LUKE, OF KENMORE, NEW YORK.

STREET SIGN AND REFLECTOR.

Application filed December 27, 1927. Serial No. 242,762.

This invention relates to a street sign, the general object of the invention being to provide means for illuminating the sign by the rays of light from the lamp on the lamp post to which the sign is attached, so that a separate lamp is not required to illuminate the sign.

Another object of the invention is to provide means whereby the name of the next intersecting street may be placed on the member carrying the reflector.

This invention also consists in certain other features of construction and in the combination and arrangement of the several parts, to be hereinafter fully described, illustrated in the accompanying drawings and specifically pointed out in the appended claim.

In describing our invention in detail, reference will be had to the accompanying drawings wherein like characters denote like or corresponding parts throughout the several views, and in which:—

Figure 1 is a perspective view showing the invention in use.

Figure 2 is a plan view of the sign carrying member.

Figure 3 is a section on line 3—3 of Figure 2.

In these views 1 and 2 indicate a pair of triangular shaped members, each part of each member being of substantially channel shape in cross section with the flanges curved. The ends of each member are connected together by a brace 3 which extends diagonally from one end to the other and each brace is provided with a semi-circular central portion 4. The braces are provided with registering holes so that they can be bolted together by the bolts 5 with the central portions 4 registering with each other to form a circular clamp to engage a lamp post A under the lamp B thereof. Letters 6, preferably formed of copper coated with white enamel, are placed in each channel-shaped portion to form the name of the street, these letters being held in place by the strips 7 which are bolted to each channel-shaped part. Outwardly and upwardly extending arms 8 are fastened in pairs to the channel-shaped parts of each member and each arm is provided with a flat upwardly and inwardly ex-

tending part 8' and a plate 9 is fastened to these parts 8' of each pair of arms.

A reflecting member 10, such as a mirror, is attached to the inner face of each plate, preferably by bending the edges of the plate forming the same so that some of the rays of light from the lamp will be reflected by these reflecting members upon the letters carried by the channel-shaped parts so as to illuminate the same and thus render the names of the streets visible at night. The name of the next intersecting street, with an arrow indicating the direction of this street, may be placed on the outer face of each plate, as shown at 11.

Thus it will be seen that the street names are illuminated by the rays of light from the lamp so that no additional light is required. The mirror is cemented in on all sides to prevent water from damaging the mirror, and by having the name of the next intersecting street on the mirror carrying members, one will know the name of the next street to the one he is on. All the parts should be composed of rust-proof material and by forming each sign carrying unit as shown in Figure 2, the unit can be easily and quickly attached to a lamp post.

It is thought from the foregoing description that the advantages and novel features of our invention will be readily apparent.

We desire it to be understood that we may make changes in the construction and in the combination and arrangement of the several parts, provided that such changes fall within the scope of the appended claim.

What we claim is:—

A street indicating sign comprising a pair of rightangle shaped members, each part of each member being of channel shape in cross section with flaring flanges, a brace connecting the ends of each member together, each brace having a semi-circular central portion, bolts connecting the braces together with the semi-circular portions forming a circular clamp to engage a lamp post, letters detachably connected with the channel shaped members and forming the names of the streets, upwardly and outwardly extending arms connected with each part of each member, each arm having an inwardly and upwardly ex-

tending flat portion, a plate connected to the flat portions of the arms of each channel shaped part, a reflecting surface connected with the inner face of each plate for reflecting some of the rays of light from the lamp on the post upon the letters carried by the channel shaped parts and the outer faces of said plates having thereon the names of the next intersecting streets, with an arrow pointing toward each intersecting street. 10

In testimony whereof we affix our signatures.

WALTER DUCKER.
FREDERICK D. LUKE.