

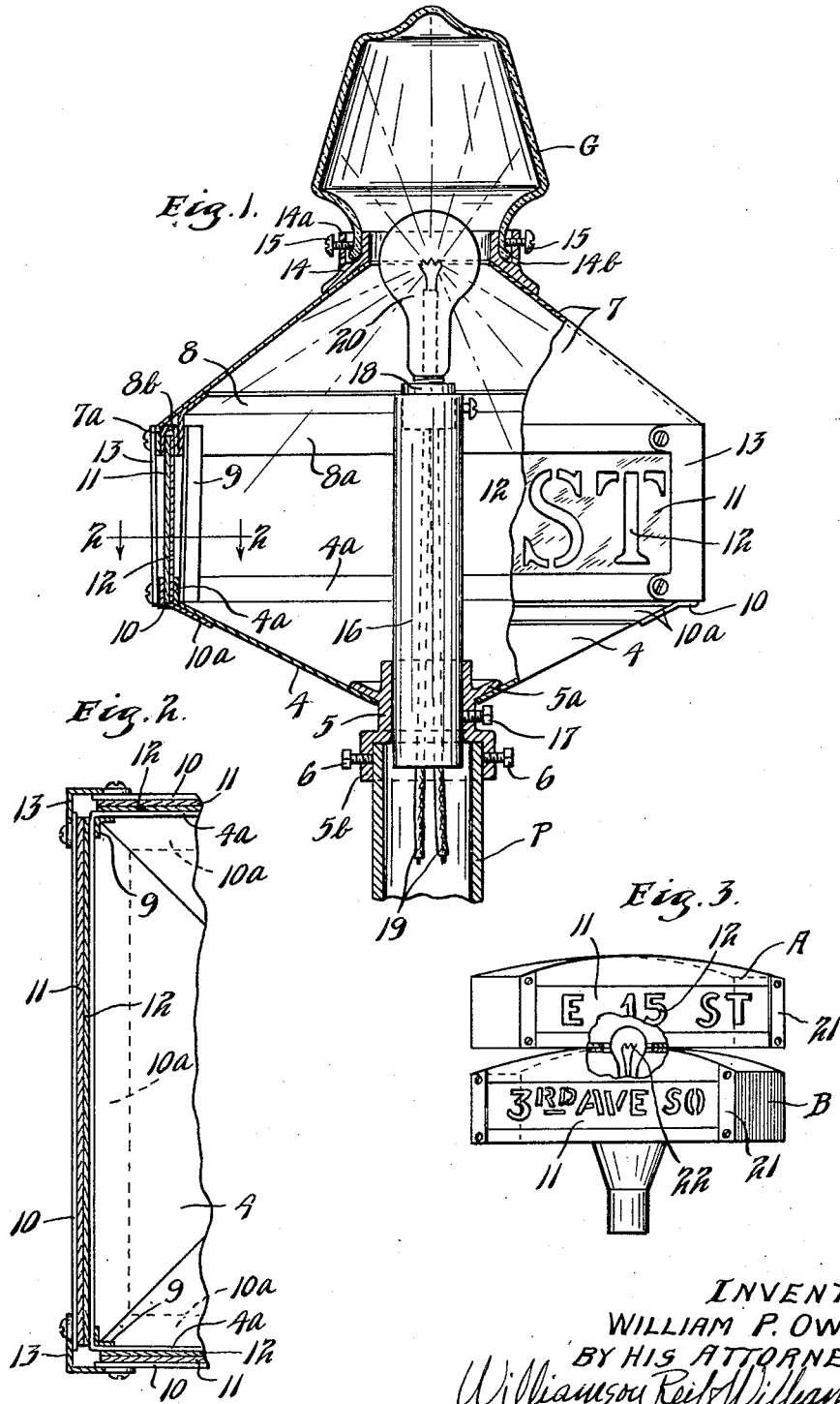
May 13, 1930.

W. P. OWENS

1,758,714

STREET SIGN AND LIGHT

Filed Oct. 25, 1929



INVENTOR.
WILLIAM P. OWENS.
BY HIS ATTORNEYS.
Williamson Reiff Williamson

UNITED STATES PATENT OFFICE

WILLIAM P. OWENS, OF CRESCO, IOWA

STREET SIGN AND LIGHT

Application filed October 25, 1929. Serial No. 402,473.

This invention relates to combination street signs and street lights especially adapted to be mounted at the corners of intersecting streets.

5 It is an object of my invention to provide an extremely simple, highly efficient street sign and light which will be plainly visible night and day to indicate intersecting streets, which may be manufactured at low cost and
10 which may be illuminated economically.

At the present time, most cities are equipped with ornamental street lights at the corners of city block and the identification of intersecting streets are usually indicated by im-
15 perforate metal signs disposed in angular relation at the head of the device and below the illuminated globe. At night when the device is illuminated, it is practically im-
20 possible to read the names of the streets, since the light shines from above and the rays of light are not thrown against nor do they permeate the sign portions of the de-
vice.

It is a further object of my invention to
25 provide a combined street light and illuminated street indicating sign, wherein the names of the streets will be illuminated and plainly visible at night by the same source of light which is radiated from the globe of
30 the device.

These and other objects and advantages of the invention will be apparent from the following description made in connection with the accompanying drawings wherein like refer-
35 ence characters refer to similar parts throughout the several views, and wherein,

Fig. 1 is a view mostly in vertical section of a preferred embodiment of my invention, some portions of the device being shown in
40 front elevation;

Fig. 2 is a cross section taken on the line 2-2 of Fig. 1; and

Fig. 3 is a corner view of a modified form of the invention applied to crossed signs indic-
45 ating intersecting streets.

In the form of the invention illustrated in Figs. 1 and 2 of the drawings, an enclosed casing is provided, fixed to the upper end of a tubular ornamental post or standard P,
50 which may be of any suitable construction.

My said casing comprises an inverted truncated pyramidal base 4 which is preferably constructed of metal and which has a rectangular upturned flange 4^a at its upper edge. The lower end of base member 4 is welded
55 or otherwise rigidly affixed to a relatively heavy attachment sleeve 5, as shown, said attachment sleeve having an inverted skirt 5^a to which the lower edge of the base is secured. As shown, sleeve 5 is provided with a de-
60 pending enlarged socket 5^b which telescopes over the upper end of post P and is secured thereto in suitable fashion by means of heavy set screws 6.

My said casing also includes a truncated
65 pyramidal top 7 of generally similar shape to base 4 having an open upper end and supported in spaced relation from base 4 by means of an upright frame. Within the lower portion of top 7 I provide a rectangular
70 shaped angle member 8, which may be welded or otherwise rigidly secured to the inner surface of top 7 having a depending vertical flange 8^a, which is disposed inwardly of and
75 in parallel relation to the depending flange 7^a of the top. A series of upright angle bars 9 are rigidly connected at their upper ends to the inside corners of rectangular
80 flange 8^a and at their lower ends to the inside corners of the flange 4^a of the base, thereby rigidly connecting the top and base of the casing. Base 4 is provided at each of
its upper edges with an upturned vertical lip 10, which has an angularly disposed attach-
85 ment portion 10^a welded or otherwise secured to the outer and upper portion of the base. Lips 10 are vertically aligned with the flange
7^a of top 7 and in cooperation with flange
4^a of the base to form a series of four hori-
90 zontal guides, one disposed at each side of the casing for insertion of a street indicating sign or plate. Oppositely disposed
guides 8^b of U-shaped cross section are provided in the lower edges of the top, one at
95 each façade of the device and may conveniently be formed integrally with the angle member 8, if desired.

I utilize sign plates which have opaque portions and also translucent portions where-
by the characters or letters may stand out
100

sharply and be observed at night by illumination of the interior of the casing. As shown in the drawings, the sign plates 11 are constructed of sheet material and have cut out stencilled portions representing the characters or letters. Behind each of the sign plates 11 I prefer to utilize sheets of translucent but not transparent material 12, such as for example, white or colored celluloid, thus making it possible to illuminate the letters and characters although preventing the interior of the device from being seen through plates 11 and also keeping out rain, snow and dirt. The sign plates 11 and sheets 12 are slidably disposed in the sign receiving guides, a pair of which are provided at each side of the casing. The vertical corners of the casing are closed by suitable angle strips 13 which may be bolted or otherwise detachably secured to the flanges 7^a and 10.

At the upper end of the top 7 of my casing, a grooved globe receiving ring 14 is provided having a lower, conical, internal surface which may be rigidly affixed to the upper edge of top 7. The groove 14^a is open at the upper edge of the ring and is adapted to receive a depending annular edge of a suitable ornamental globe G. Detachable means, such as set screws 15 may be provided in the outer flange of ring 14 which may engage the telescoped edge of the globe to retain the same against displacement. Ring 14 is preferably provided with a series of inclined drain ports 14^b which communicate with the bottom of groove 14^a to drain off any water which may accumulate in said groove. An elongated vertical tube 16 is adjustably secured within attachment sleeve 5, the lower end of said tube being snugly telescoped within said sleeve and adjustably connected thereto by suitable means, such as the set screw 17. An electrical lamp socket 18 is detachably secured in the upper end of tube 16 and is electrically connected with service wires 19, which extend through post P and through the tube 16. A powerful electric lamp 20 is secured in socket 18 and the tube 16 is preferably so adjusted that the filament of lamp 20 is disposed at, or slightly below, the upper peripheral edge of the truncated pyramidal top 7, the round portion of said electric lamp being disposed partially within the globe G and partially within my said casing.

It will be apparent that light will be distributed upwardly flooding globe G, certain rays being deflected to some extent by the tapered attachment portion of the globe while a large amount of light will be directed downwardly and reflected by the truncated pyramidal top 7, thoroughly illuminating the interior of the casing and the sign plates at the various façades thereof. The external surface of sign plates 11 are preferably painted some color which contrasts with the color of the translucent sheet 12 so that the names

of the streets may be easily read in the daytime when the device is not illuminated. At night with the electric lamp illuminated, the letters or characters on the various sign plates will stand out prominently and can be observed from a considerable distance. The light rays emanating from the globe will not be directed downwardly tending to obscure the reading of the signs and the entire source of light will be furnished for both the street light and the sign devices by means of the single lamp 20.

The device is constructed throughout to avoid entrance of rain, dust or snow into the casing and it will be seen that the top of the casing is completely enclosed and that water cannot accumulate in the ring 14. It will also be seen that connections between the top and the base of the casing are such that there can be no accumulation of water and the lower guides for the sign plates are preferably provided with drain ports.

In the modified form of the invention shown in Fig. 3, two crossed casings A and B are provided preferably being of generally rectangular shape but having segmental tops. Casings A and B are secured together with their center lines crossed according to the angulation of intersecting streets where they are utilized. Sign plates 11 similar to the sign plates previously described may be applied at the longitudinal sides of casings A and B and may be detachably secured in place by angle members or plates 21. The central portion of the base of casing A and the center portion of the top of casing B are welded or otherwise secured together and are also apertured, as shown in Fig. 3 to accommodate the upper portion of an electric lamp 22. Lamp 22 may be suitably mounted in an electrical socket (not shown) provided in the base of lower casing B. The lamp is so disposed that it will efficiently illuminate both casings A and B, the filament being preferably disposed in line with the attached portions of said casing. This form of the invention may be used for corners of intersecting streets where lighting is not especially required.

From the foregoing description it will be seen that I have provided an extremely simple but highly efficient street sign and light adapted to be readily applied to ornamental lamp posts now utilized in many municipalities and adapted to clearly display the names of streets or other indicia in the daytime and at night. It will also be apparent that a considerable amount of light is emanated from the sign portion of the device as well as from the lighting globe at the top of the casing. In actual use, the device has proven highly efficient for lighting as well as for indicating the street.

It will, of course, be understood that various changes may be made in the form, details,

arrangement and proportions of the parts without departing from the scope of the invention.

While I have illustrated a sign 11 of sheet material having cut-out letters therein, I also contemplate the use of a translucent sheet of material with opaque letters printed, painted or otherwise formed thereon, all within the scope of my invention.

What is claimed is:

1. In an illuminated street sign, a casing or chamber having a raised top provided with a central aperture therein, the inner portion of said top adjacent said aperture affording reflecting surfaces, a chamber having translucent portions secured to the top of said first mentioned chamber and having an opening at the bottom thereof communicating with said first mentioned chamber, a lamp disposed partially in said first mentioned chamber and partially in said last mentioned chamber, said first mentioned chamber having a plurality of walls in the form of signs having opaque portions and translucent portions adapted to indicate street names by illumination, and a supporting post secured to the base of said first mentioned chamber.

2. In an illuminated street sign, a casing having a converging truncated top, said top having an open upper end, a translucent globe constituting a chamber secured to said open upper end, and communicating therewith, a lamp disposed partially in said casing and partially in said globe, said casing having a plurality of substantially vertical walls in the form of signs provided with opaque portions and translucent portions adapted to indicate street names by illumination, and a supporting post to which the base of said casing is secured.

3. In an illuminated street sign, a generally rectangular casing having a base and a converging truncated top, said top having an open upper end, a translucent lighting globe secured to the upper end of said casing and communicating therewith, a lamp support extending vertically through said casing and disposed concentrically of said upper end, a lamp mounted on said support and disposed partially in said globe and partially in said casing, said casing having opposed vertical walls in the form of signs having opaque portions and translucent portions adapted to indicate street names by illumination, and a post to which the base of said casing is secured.

4. In an illuminated street sign, a generally rectangular casing having a base and a converging top spaced from said base and secured thereto by means of a series of vertical supporting members, said top having a centrally disposed aperture therein, a lighting globe secured to said top and communicating with said aperture, a vertical lamp

support secured in said base for vertical adjustment, a lamp attachment to said support for illuminating said casing and also said lighting globe, a pair of oppositely disposed horizontal guides for each side of said casing, one of each pair supported from the top and one supported from the base of said casing, sign plates slidably disposed in said pairs of guides, said sign plates having transparent portions and opaque portions to indicate street names by illumination, vertically disposed angle members for closing the ends of said guides and covering the ends of said sign plates.

In testimony whereof I affix my signature.
WILLIAM P. OWENS.

70

75

80

85

90

95

100

105

110

115

120

125

130