

199,456

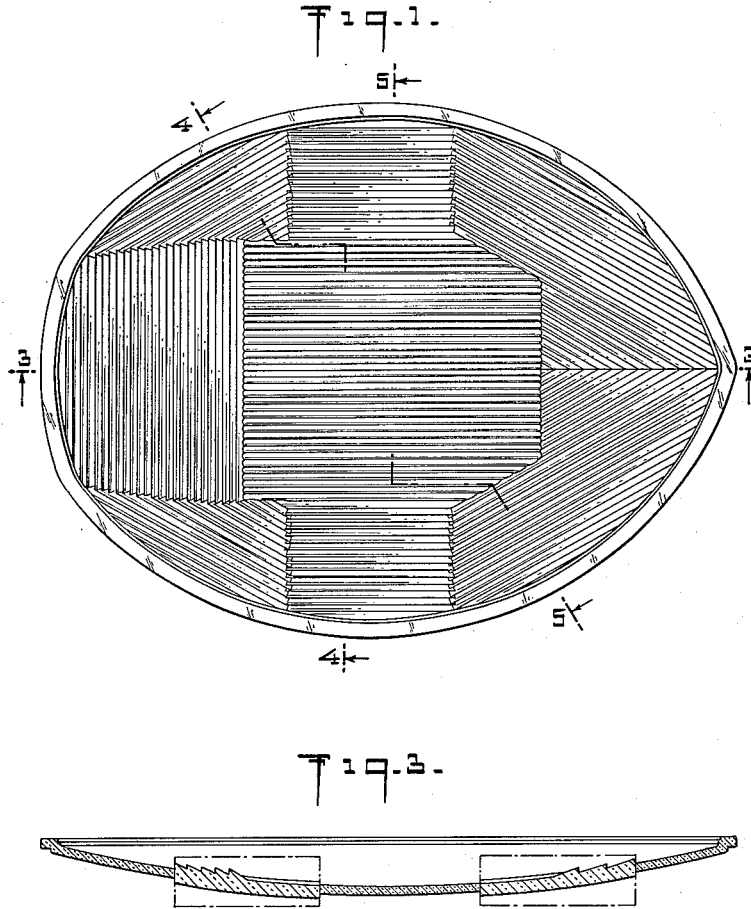
LUMINAIRE LENS

Dale E. Welty, Newark, Ohio, assignor to Holophane Company, Inc., New York, N.Y., a corporation of Delaware

Filed Sept. 17, 1963, Ser. No. 76,619

Term of patent 14 years

(Cl. D48-16)



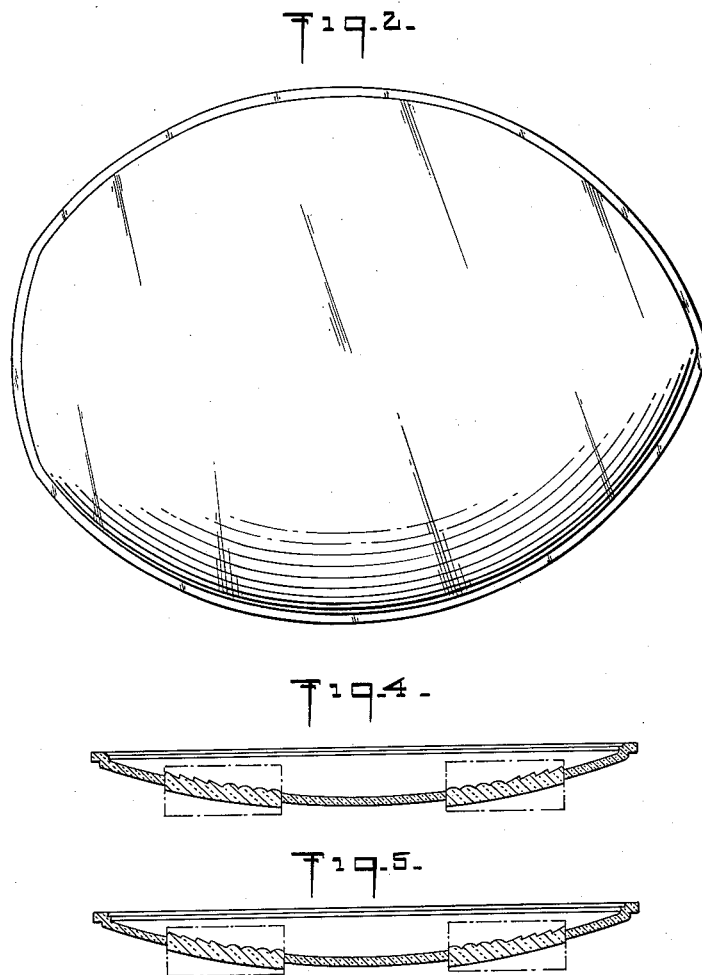


FIG. 1 is a top plan view of a luminaire lens showing my new design;

FIG. 2 is a bottom plan view thereof;

FIG. 3 is a cross-sectional view taken on the line 3—3 of FIG. 1, with the prismatic pattern partially shown on an enlarged scale to better illustrate the configurational details thereof;

FIG. 4 is a cross-sectional view taken on the line 4—4 of FIG. 1, with the prismatic pattern partially shown on an enlarged scale to better illustrate the configurational details thereof; and

FIG. 5 is a cross-sectional view taken on line 5—5 of

FIG. 1, with the prismatic pattern partially shown on an enlarged scale to better illustrate the configurational details thereof.

I claim:

The ornamental design for a luminaire lens, substantially as shown.

References Cited by the Examiner

UNITED STATES PATENTS

D. 71,122 9/26 Smith ----- D48—33
3,113,730 12/63 Dorman et al.

ADELIN B. HANNAH, *Primary Examiner.*